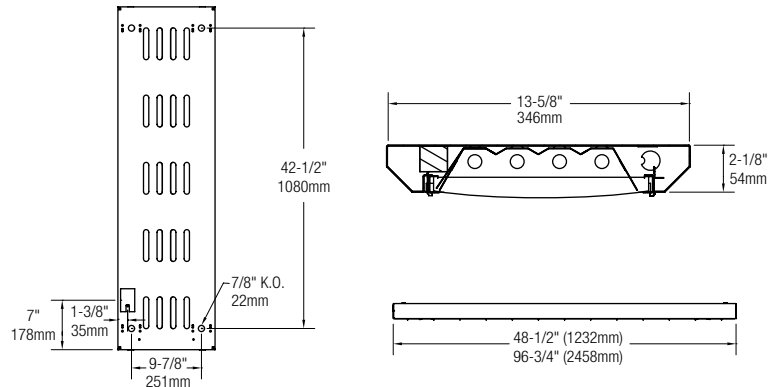




Commercial Lighting Fixture

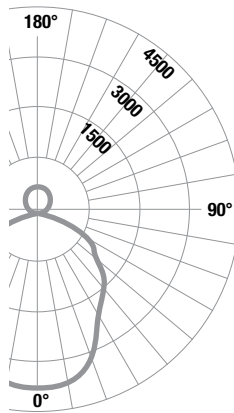
LouverBay

Pendant Mounted Fluorescent with Uplight for 4-Lamp T8/T5



Features

- Ideal for stores and other applications requiring efficiency and lighting control
- For ceilings up to 18 feet high
- **Efficiency:** 86.7% (based on 4-T8 lamps)
- **Body:** One piece chassis made of 20 gauge cold rolled steel die-formed for superior strength. Both 4' or 8' length available in a single piece housing
- Slots on top of the fixture providing adequate ventilation and 12% uplight reducing cave effects
- Chassis exterior and cavity post painted in a white baked polyester powder coat finish
- Slim profile of 2-1/8" depth, ideal where ceiling height is an issue
- **Reflector:** Contoured or flat Miro IV reflector with 95% reflectivity
- **Thermally protected** class "P" ballast. C.B.M. approved, non PCB. If knock out is within 3" of ballast, use wire suitable for at least 90°C
- **Certification:** cCSAus



| RCR | CU† |
|-----|------|
| 1 | 0.90 |
| 2 | 0.80 |
| 3 | 0.71 |
| 4 | 0.64 |
| 5 | 0.57 |
| 6 | 0.51 |
| 7 | 0.46 |
| 8 | 0.42 |
| 9 | 0.38 |
| 10 | 0.34 |

Options/Accessories

- **Emergency Power Pack:** Factory installed emergency power pack includes charger and inverter concealed in fixture channel. Upon loss of AC power, operates one lamp at high lumen output for 90 minutes. Consult factory for 347V. Add suffix **E** (standard Bodine LP600) or **O** (BI00-CAN for T8 lamps)
- **Electrical Wiring Options:** Consult factory
- **Stem and Canopy Kits:** Suspend luminaire 12", 18", 24", 36" and 48" from surface. Four recommended per fixture. Order **STKF12, STKF18, STKF24, STKF36, STKF48**
- **Chain Suspension Option:** 24" Chain Suspension Kit. Two required per fixture. Order **EE9HC**
- **Luminaire-Mounted Motion Sensor** 360° coverage. Field installed. Compatible only with contoured reflectors. Order **FH360**

Reference Data*

| | |
|-------------------------|-------|
| Efficiency | 86.7% |
| Spacing Ratio (along) | 1.2 |
| Spacing Ratio (accross) | 1.1 |

Electronic Ballast*

| | |
|-------------------|------|
| Input Watts (UNV) | 230W |
| Ballast Factor | 1 |

Application Data**

| | | | |
|------------------------|-------|-----------------|-----------|
| Luminaire Spacing | FC | Max./min. ratio | W/Sq. Ft. |
| <hr/> | | | |
| 105' x 61' x 22' space | | | |
| 15' center to center | 72/54 | 2.2 | 2.68 |

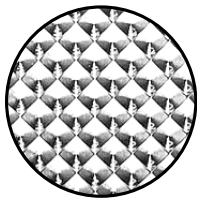
Ordering Guide

| Type | Lamp Qty/Type | Luminaire Length | Catalogue Number |
|---------------------|---------------|------------------|------------------|
| Contoured reflector | 4-T5 | 4' | FL4C4ULW428 |
| | 4-T5 | 8' | FL8C4ULW428 |
| | 4-T5HO | 4' | FL4C4ULW454 |
| | 4-T5HO | 8' | FL8C4ULW454 |
| | 4-T8 | 4' | FL4C4ULW432 |
| | 4-T8 | 8' | FL8C4ULW432 |

Ordering information

Explanation of Catalog Number: Example: **FL4C4ULW454UNVPG**

| | | | | | | | | | | |
|----------------------------|-----------------------|---|----------------------|------------------------|--|---|--|-------------------------------------|--|--|
| FL | 4 | C | 4 | U | LW | 4 | 54 | UNV | PG | |
| FL Series LouverBay | Fixture Length | Reflector | Fixture Width | Light Direction | Lens/ Shielding | Lamps in X-Section | Lamp | Voltage | Ballast Type | Options |
| | 4 = 4' 8 = 8' | C = Contoured Specular Inside Reflector S = Flat Specular Inside Reflector | 4 = 17" | U = Uplight | XX = No Shielding LW = Solid White Louver WW = White Wireguard VA = Prismatic Lens VA with Wiregard VB = Prismatic Lens VB with Wiregard W3 = White Wiregard/ 3 ft. Cord and Twist Lock Plug L3 = Solid White Louver/3ft. Cord and Twist Lock Plug A3 = Lens VA with Wiregard/3ft. Cord and Twist Lock Plug | 2 = 2 Lamps*** 3 = 3 Lamps*** 4 = 4 Lamps | 28 = 28W T5 32 = 32W T8 54 = 54W T5HO (nominal 48") | UNV = 120-277V 120 277 347 | PG = T5/T5HO Elect. PS One 2-lamp THD<10% HI = T8 Elect. I.S. One 2-lamp THD<10% H3 = T8 Elect. I.S. One 3-lamp THD<10% PU = T5 Elect. PS. One 3-lamp THD<10% PV = T5/T5HO Elect. PS. One 4-lamp THD<10% H4 = T8 Elect. I.S. One 4-lamp THD<10% HA = T8 Elect. I.S. One 2-lamp HBF THD<10% HC = T8 Elect. I.S. One 4-lamp HBF THD<10% | E = Emergency Pack Bodine LP600 O = B100-CAN for T8 lamps |



VA: Pattern 12 prismatic lens made of virgin acrylic (.095" nominal). Complete with hinged white wireguard.

VB: Pattern 12 prismatic lens made of virgin acrylic (.125" nominal). Complete with hinged white wireguard.

* FL4C4ULW454UNVPG.

** FL4C4ULW454120C2 tandem. Initial footcandles on horizontal/vertical plane.

Total LLF=1.0. Reflectances: 70% ceiling, 40% walls, 20% floor; 22' ceiling height, 3' mounting height, 1'x1' calculation grid, Workplane at 0', 4,400 lumens lamps at 25°C.

*** 2 and 3 Lamps Only Available with Flat Specular Reflector